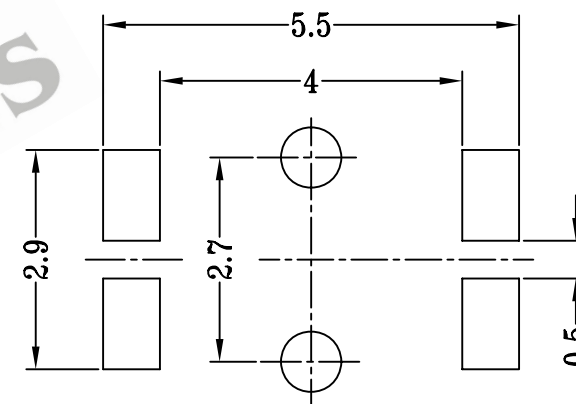
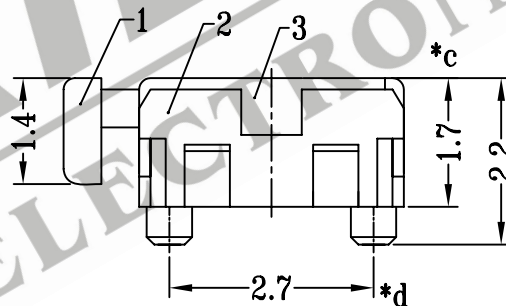
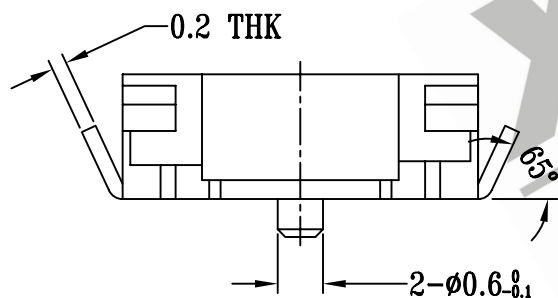
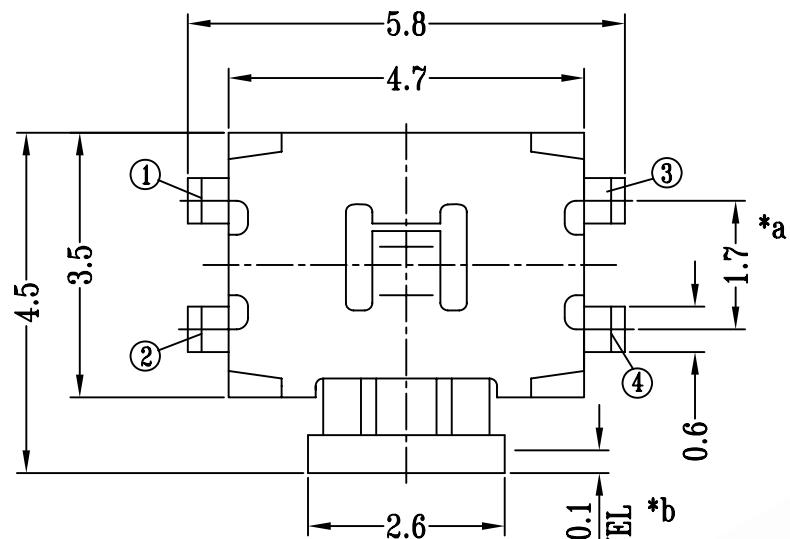
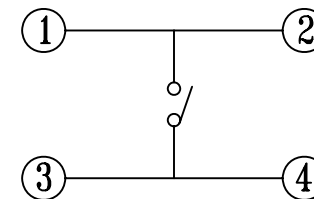


CAD FILE:



P.C.B LAYOUT



SCHEMATIC

注：“*”表示关键尺寸（4个）

8					TOLERANCE	SHENZHEN XIEJIA ELECTRONICS CO.,LTD.					
7					UNLESS SPECIFIED						
6					WITHIN: 1.5±0.1mm	ISSUE	DATE	DESCRIPTIONS		APPD.	
5	SEAL PLATE	PET	1	BROWN	OVER : 1.5±0.2mm						
4	CONTACT	SUS	1	Ag CLAD	TITLE : TACT SWITCH			UNIT : MM	DRWG NO.: XJ-DR-TD26EU-00		
3	COVER	SUS	1	NATURAL				MODEL: TD-26EU			SCALE: 10:1
2	CASE	NYLON 46/BRASS STRIP	1	BLACK/Ag PLATED	ALL MATERIALS MUST BE COMPLIANT TO ROHS						
1	KNOB	LCP	1	BLACK				APPD.			
NO.	PART NAME	MATERIAL	Q'TY	FINISHING							